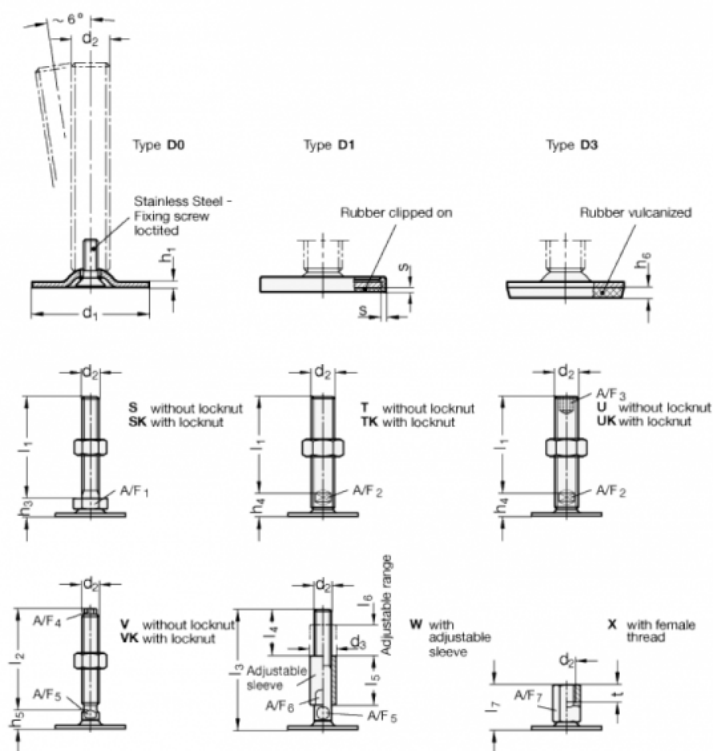


Article number: 204160M16125D3U

Description: E+G levelling foot  
GN 41-60-M16-125-D3-U

Note: U Without nut, Hexagon socket at the top, Wrench flat at the bottom

## Measures



A/F2 = 12

s =

A/F3 = 8

d1 = 60

d2 = M16

h1 = 2.5

h4 = 17

h6 = 4.5

l1 = 125